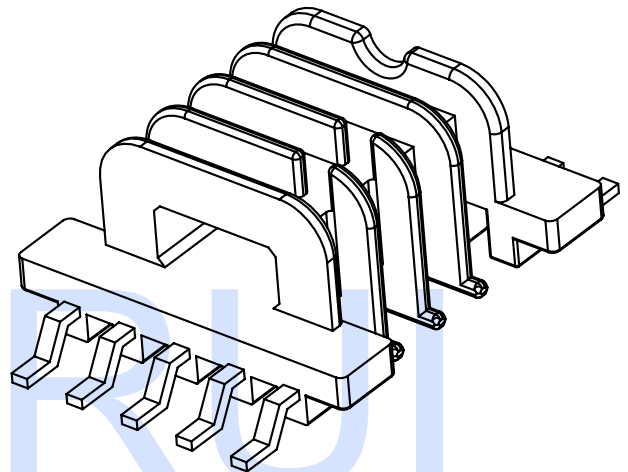
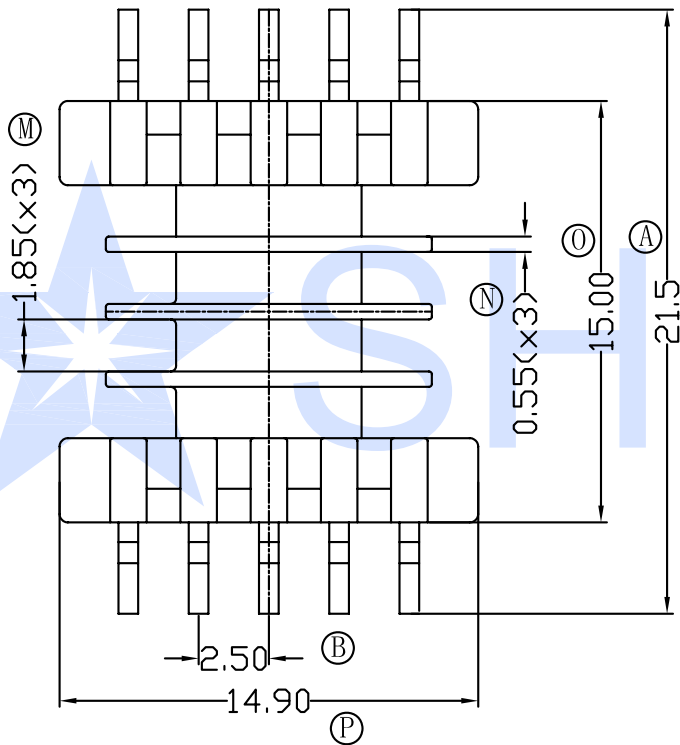
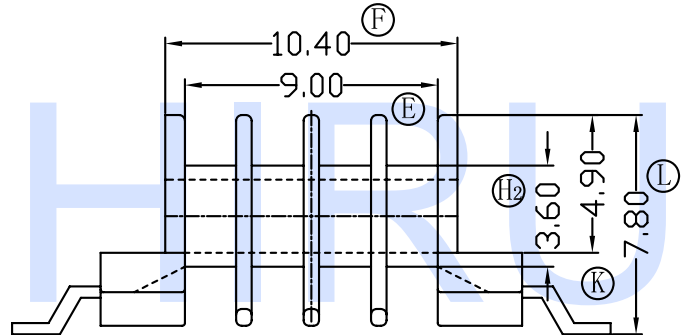
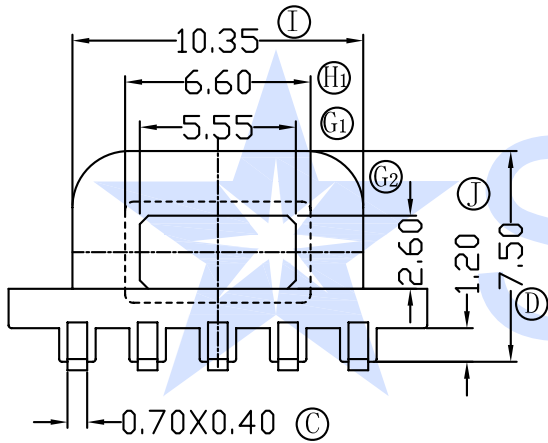
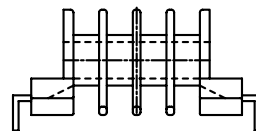


P/N

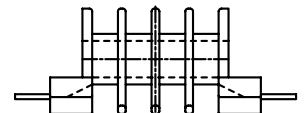
SR-SMD EFD1502



SR-SMD EFD1502-1



SR-SMD EFD1502-2



Hefei Shirui Electronic Technology Co.,Ltd

TEL: (0086) 55165232650

sales@shiruitech.com

www.shiruitech.com

SR NO.
SR-SMD EFD1502

MATERIAL:
LCP-E4008

UNIT: mm
TOLERANCE

DRN. WILL H

MODEL NAME:
EFD15-10P-4S H

UL REC: UL 94V-0

0 L 4 ±0.10
4 L 16 ±0.20
16 L 64 ±0.30
PIN PITCH ±0.05

CHD. IRINA LEE

ANGLE: ±°



SCALE 1:1

ISSD. JAMES HU